



LAHTI
PRECISION

Ahjokatu 4 A, P.O.B. 22
FI-15801 Lahti, Finland
Tel. +358 3 829 21
Fax +358 3 829 4100
www.lahtiprecision.com



Lahti Precision Load Cells

BC5 shear beam load cells 500 kg ... 5000 kg

- Rated capacities 500 kg, 1000 kg, 2000 kg and 5000 kg
- Low profile, stainless steel construction
- EU-tested, OIML R60
- Hermetically sealed construction
- Ex versions available for hazardous areas
- Guarantee two years

Series BC5 shear beam load cell is a low profile load cell for several weighing applications. The load cell is ideally suited for process scales and silos as well as for verifiable floor and hopper scales. The load cell is made of stainless steel and sealed by welding.

RGP mounting kits are EU-tested. They can be used for verifiable scales with load cells and WA-series weight indicators. Each load cell comes with manufacturer's inspection certificate.

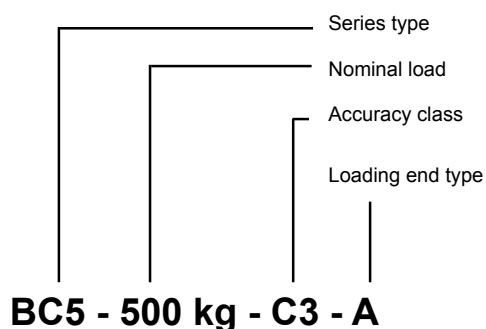
BC5

Technical specifications and dimensions

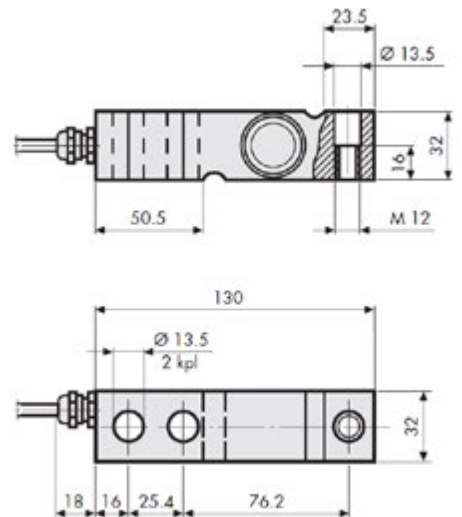
	Symbol	BC5
Accuracy class		C3
Nominal load	E_{max}	500, 1000, 2000, 5000 kg
Combined error*	F_{comb}	$<\pm 0.020\%$
Nominal sensitivity	C_n	2 mV/V
Sensitivity tolerance	D_c	$<\pm 0.1\%$
Minimum service range	B_{amin}	25 %
Minimum verification interval	V_{min}	$E_{max} / 12\ 000$
Repeatability	F_v	$<\pm 0,010\%$
Creep 30 min	F_{cr}	$<\pm 0.017\%$
Temperature coefficient of zero point/10K	T_{K0}	$<\pm 0.011\%$
Temperature coefficient of sensitivity/10K	T_{Kc}	$<\pm 0.012\%$
Setting tolerance of zero point	D_0	$<\pm 2\%$
Input resistance	R_e	$400\pm 20\ \Omega$
Output resistance	R_a	$350\pm 3\ \Omega$
Insulation resistance	R_{is}	$>1000\ M\Omega$
Reference input voltage	U_{sr}	10 V
Maximum voltage supply	$U_{s\ max}$	15 V
Nominal temperature range	B_{tn}	$-10^\circ\text{C} \dots +40^\circ\text{C}$
Temperature range	B_{tu}	$-30^\circ\text{C} \dots +80^\circ\text{C}$
Deflection at nominal load	h_n	$<0,4\ \text{mm}$
Safe overload (% of nominal load)		150 %
Ultimate overload (% of nominal load)		300 %
Environmental protection		IP68
Weight		0,9 kg (500...2000kg) 1,9 kg (5000 kg)

* Combined error includes non linearity and hysteresis.

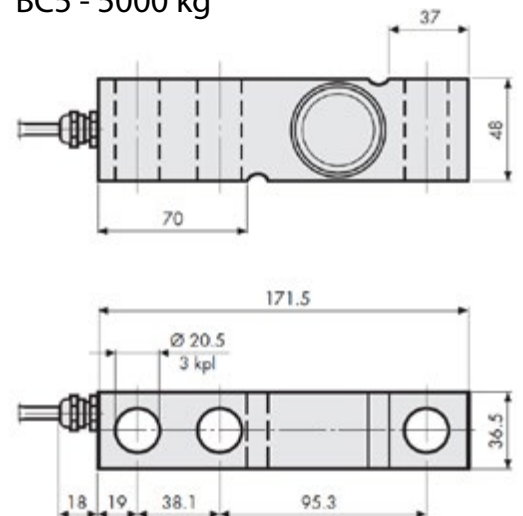
Markings



BC5 - 500 kg...2000 kg



BC5 - 5000 kg



Wiring Schematic Diagram

